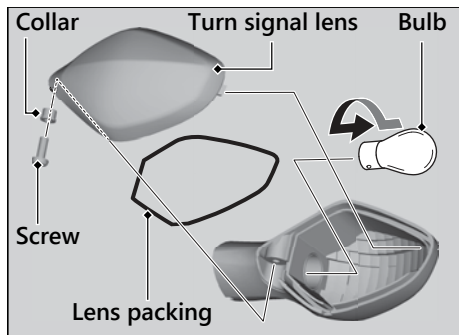


## Front/Rear Turn Signal Bulb

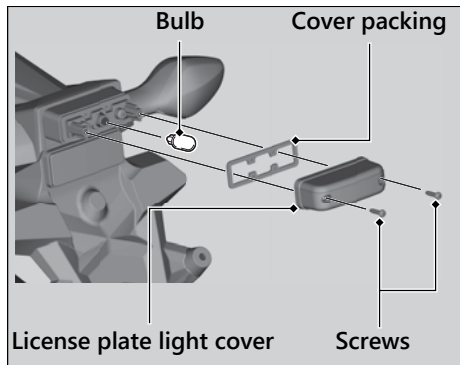
1. Remove the screw and collar.
2. Remove the turn signal lens and lens packing.
3. Slightly press the bulb and turn it counterclockwise.



4. Install a new bulb and parts in the reverse order of removal.

## License Plate Light Bulb

1. Remove the screws.
2. Remove the license plate light cover and license plate light cover packing.
3. Pull out the bulb without turning it.



4. Install a new bulb and parts in the reverse order of removal.