

# Engine Oil & Filters

## Checking & Adding Engine Oil

Refer to *Safety Precautions* on page 123.

Check the engine oil level each day before operating your Honda SXS and add, if needed.

Before riding your SXS, check the engine oil level.

1. Park your Honda SXS on a firm, level surface.
2. Start the engine in a well-ventilated area and let it idle for 3 – 5 minutes. Stop the engine and wait 2 – 3 minutes.

3. (SXS1000M3/M3P/M3L)

The dipstick can be accessed by lifting the bed (page 81).

(SXS1000M5P/M5D/M5L)

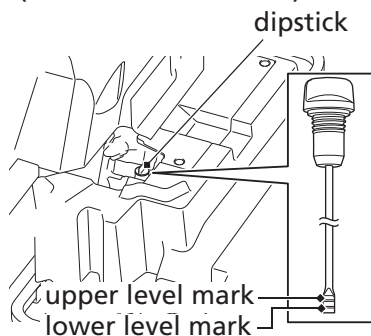
The dipstick can be accessed by opening the left rear door, then opening the rubber cover, and accessing it from the footwell.

4. Remove the dipstick and wipe it clean.
5. Insert the dipstick without screwing it in, then remove the dipstick and check the oil level. The oil level should be between the upper level mark and the lower level mark on the dipstick.

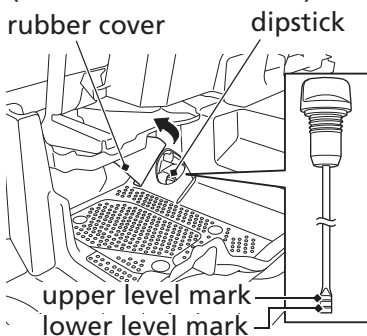
### UNDER CARGO BED

#### LEFT SIDE

(SXS1000M3/M3P/M3L)



(SXS1000M5P/M5D/M5L)



(cont'd)