



Safety Labels

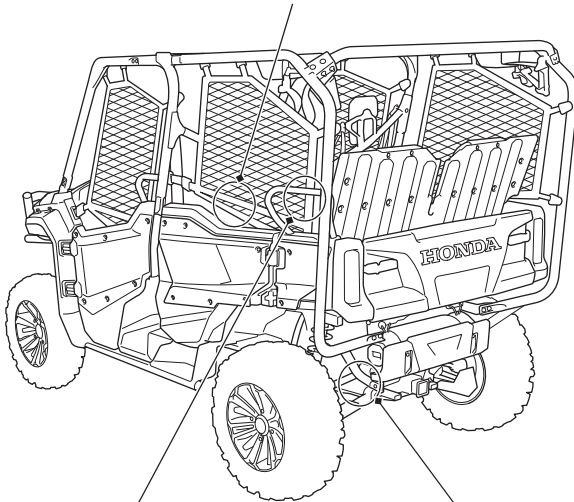
(USA - 49 states, Canada, Australia, New Zealand models)

(USA - 50 states [meets California] models)

 WARNING
<p>SERIOUS INJURY or DEATH can result if you ignore the following: DO NOT RIDE IN CARGO BED. DO NOT OVERLOAD CARGO BED.</p> <ul style="list-style-type: none"> • Overloading can cause loss of control and crash. • Maximum load (1,000 lbs/454 kg). • Keep cargo inside the bed, as far forward, centered and as low as possible. • Secure items to prevent shifting. • Reduce speed and allow more room to turn or stop.

 WARNING
<p>SERIOUS INJURY or DEATH can result if you ignore the following: DO NOT RIDE IN CARGO BED. DO NOT OVERLOAD CARGO BED.</p> <ul style="list-style-type: none"> • Overloading can cause loss of control and crash. • Maximum load (600 lbs/272 kg). • Keep cargo inside the bed, as far forward, centered and as low as possible. • Secure items to prevent shifting. • Reduce speed and allow more room to turn or stop.


loading warning



 WARNING
<p>Improper Use of Off-Highway Vehicles Can Cause Severe Injury or Death</p> <ul style="list-style-type: none"> • Only sit in designated seating positions and wear your seatbelt. • Always wear an approved helmet and protective gear. • Close doors and latch nets before driving. • Each rider must be able to sit with back against seat, feet flat on floor, and hands on handholds. Stay completely inside the vehicle.

<small>Read Owner's Manual Follow All Instructions and Warnings</small>

rear passenger warning
(SXS1000M5P/M5D/M5L only)

 WARNING	Towing Capacity
<p>Improper towing can result in serious injury or death.</p> <ul style="list-style-type: none"> • Don't exceed the towing capacity. • When towing, reduce speed, allow more room to turn and stop. • Read the towing section in the owner's manual. 	<ul style="list-style-type: none"> • Towing weight limit 2000 lbs. (907 kg) • Tongue weight limit 200 lbs. (90 kg)

trailer hitch