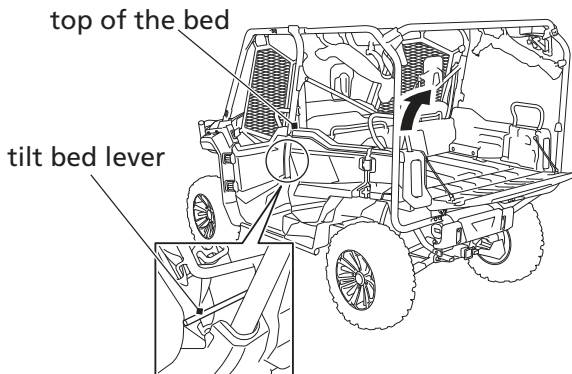


Cargo Bed Controls

SLOWLY LIFT UP THE CARGO BED.

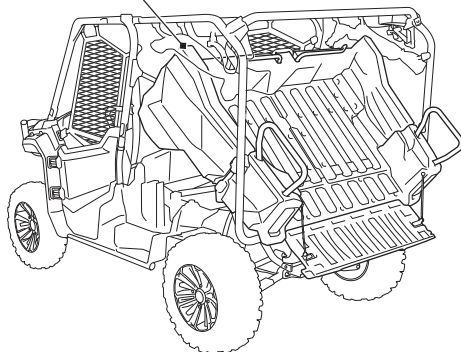


To lower the cargo bed, make sure that the area under the front of the cargo bed is clear, then manually push down on the top of the bed.

Check that the bed is securely latched.

top of the bed

**LOWER THE CARGO
BED SLOWLY.**



BE SURE IT IS LOCKED INTO PLACE.