

Engine Oil & Filters

Install a New DCT Oil Filter:

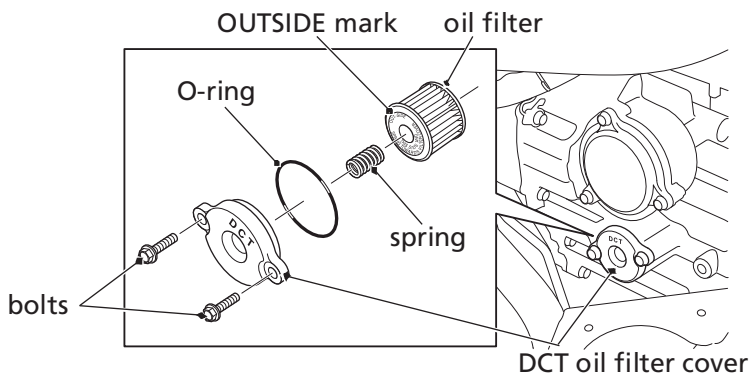
Place shop towels under the oil filter cover because oil will flow out.

11. Remove the DCT oil filter cover (DCT marked) and O-ring by removing the bolts. Let the remaining oil drain out. Discard the oil filter in an approved manner (page 211).
12. Apply engine oil to a new O-ring and install it to the DCT oil filter cover. Install a new oil filter.
Use only the Honda Genuine oil filter or a filter of equivalent quality specified for your model. Using the wrong Honda filter, inserting a filter in backwards, using a filter with no OUTSIDE markings, or a non-Honda filter which is not of equivalent quality may cause engine damage.
13. Install a new filter with the OUTSIDE mark facing outward, reinstall the spring and DCT oil filter cover making sure the bolts are tightened to the specified torque:
9 lbf-ft (12 N·m, 1.2 kgf·m)

NOTICE

Improper installation of the oil filter can cause serious engine damage.

UNDER LEFT REAR FENDER



(cont'd)