

If a Fuse Blows

Other Fuses

1. Turn the ignition switch to OFF (w) before checking the fuse.
2. Remove the battery cover (page 194).

Electric Power Steering (EPS) Fuse Access

3. To access the EPS fuse, remove the fuse cover.
If the EPS fuse is blown, see your dealer for this service.

Brake Traction Control System (BTCS) Fuse Access

4. To access the BTCS fuse, remove the fuse cover.
If the BTCS fuse is blown, see your dealer for this service.

Radiator Fan Fuse Access

5. To access the radiator fan fuse, remove the fuse cover.
If the radiator fan fuse is blown, see your dealer for this service.

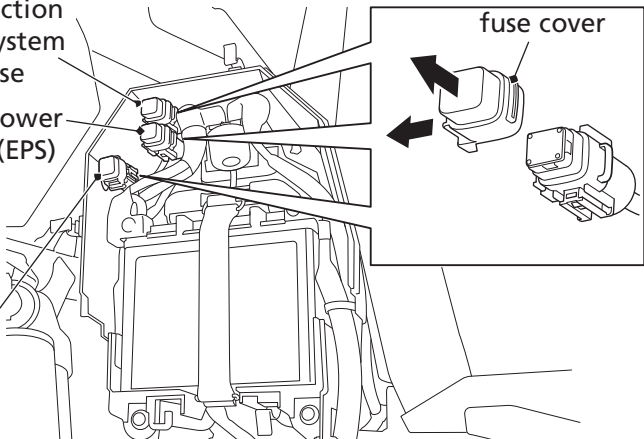
6. Install the fuse covers.
7. Install the battery cover.

UNDER LEFT REAR FENDER

brake traction
control system
(BTCS) fuse

electric power
steering (EPS)
fuse

radiator
fan fuse



(cont'd)