

# Tool Kit

---

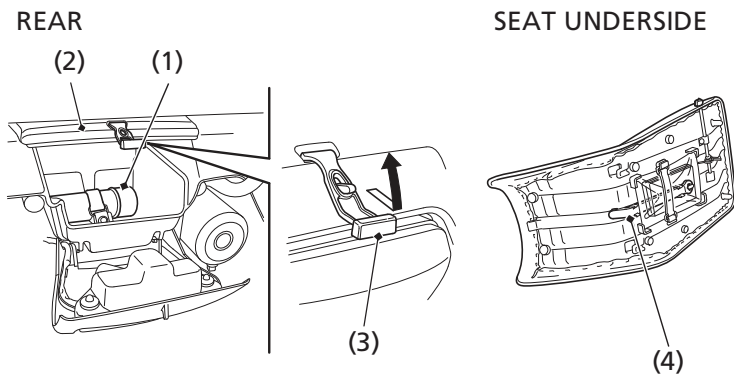
The tool kit (1) is stored in the storage compartment (2) below the rear cargo rack.

To open the compartment, unhook the rubber strap (3).

The gear change tool (4) is stored underside of the seat.

The air pressure gauge should be stored in the tool kit.

An optional, larger tool kit may be available. Check with your dealer's parts department.



(1) tool kit  
(2) storage compartment

(3) rubber strap  
(4) gear change tool