

# Gear Case Oil

6. Fill the gear case with the recommended oil.

**2.7 US oz (80 cm<sup>3</sup>)**

7. Remove the oil level check bolt (4) and sealing washer. Make sure the oil level reaches the oil level check hole (5).

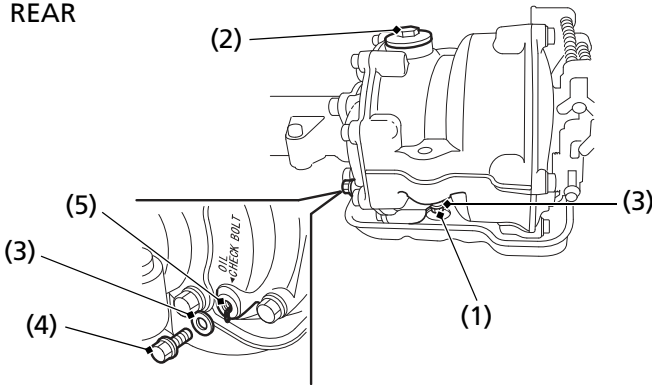
8. Install the oil level check bolt with a new sealing washer and tighten it to the specified torque:

**9 lbf·ft (12 N·m , 1.2 kgf·m)**

9. Install the oil fill cap and tighten it to the specified torque:

**9 lbf·ft (12 N·m , 1.2 kgf·m)**

REAR



(1) oil drain plug

(4) oil level check bolt

(2) oil fill cap

(5) oil level check hole

(3) sealing washer