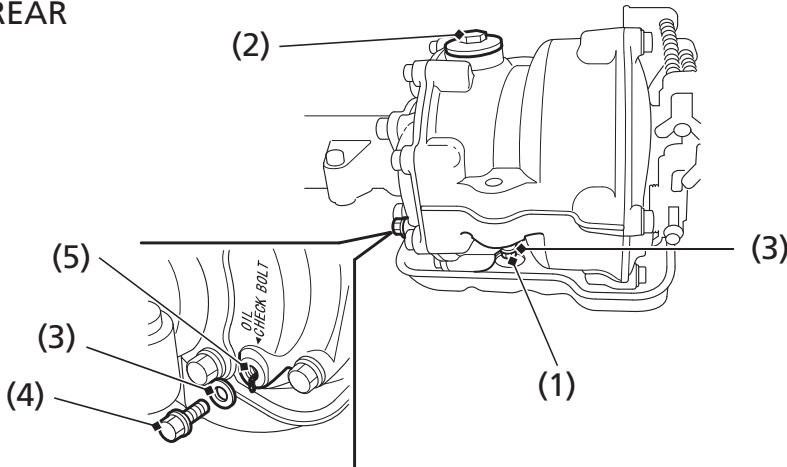


# Gear Case Oil

6. Fill the gear case with the recommended oil.  
**2.7 US oz (80 cm<sup>3</sup>)**
7. Remove the oil level check bolt (4) and sealing washer. Make sure the oil level reaches the oil level check hole (5).
8. Install the oil level check bolt with a new sealing washer and tighten it to the specified torque:  
**9 lbf·ft (12 N·m , 1.2 kgf·m)**
9. Install the oil fill cap and tighten it to the specified torque:  
**9 lbf·ft (12 N·m , 1.2 kgf·m)**

REAR



- |                    |                          |
|--------------------|--------------------------|
| (1) oil drain plug | (4) oil level check bolt |
| (2) oil fill cap   | (5) oil level check hole |
| (3) sealing washer |                          |