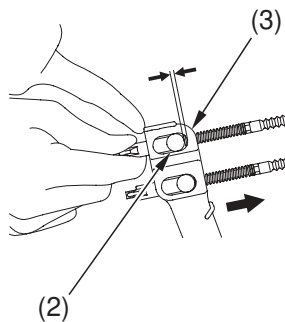
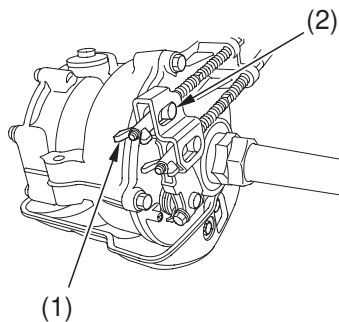


Parking Brake Adjustment

Refer to *Safety Precautions* on page 75.

Parking brake adjustment may be required if the parking brake does not hold properly.

RIGHT REAR



(1) brake lever adjusting nut
(2) brake arm pin

(3) brake arm

Adjustment

Adjust the freeplay of the clutch lever/parking brake lever with the front wheels pointed straight ahead.

1. Temporarily adjust the clutch lever/parking brake lever freeplay to more than 13/16 in (20 mm) (page 106).
2. Turn the brake lever adjusting nut (1), located on the brake operating rod at the rear of the frame. Make sure the cutout on the adjusting nut is properly seated on the brake arm pin (2).
3. Push the brake arm (3) then check the clearance between the brake arm and the brake arm pin.

(cont'd)