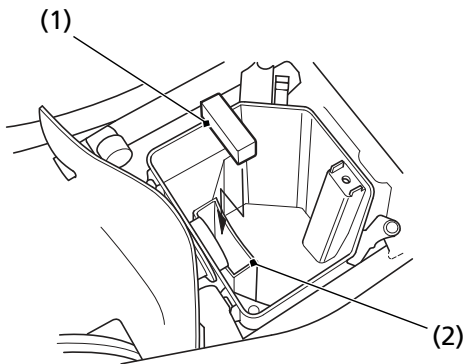


Air Cleaner

13. Apply a thin coat of grease to the sealing surface of the air cleaner assembly.
14. Install the clamp.
15. Insert the air cleaner assembly into the air cleaner housing.
16. Install the stay and screw A.
17. Fasten the screws.
18. Install the air cleaner housing cover and latch the retainer clips.

Dust Cover

UNDER SEAT



(1) dust cover

(2) air cleaner housing

Do not push the dust cover (1) too far into the air cleaner housing (2). If the dust cover is dirty, clean it.