

Controls & Features

Front Utility Box

The front utility box (1) is located on the front center cover. You may store small, lightweight items in the box.

To open:

Pull up the front of the front utility box cover (2).

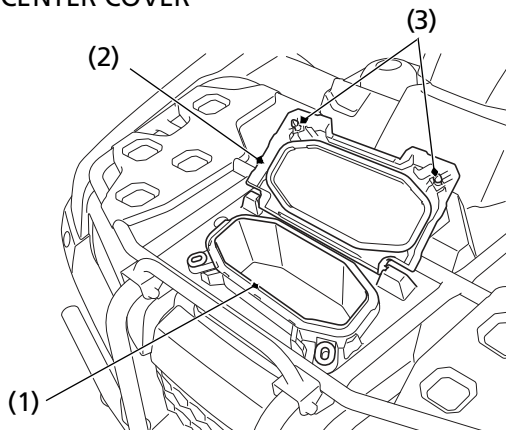
To close:

Push down the front of the front utility box cover until it locks in place. Make sure that the studs (3) are locked securely in position by pulling up lightly on the front of the front utility box cover.

Do not store valuable items in the front utility box.

Be careful not to flood this area when washing your ATV.

FRONT CENTER COVER



(1) front utility box

(3) studs

(2) front utility box cover