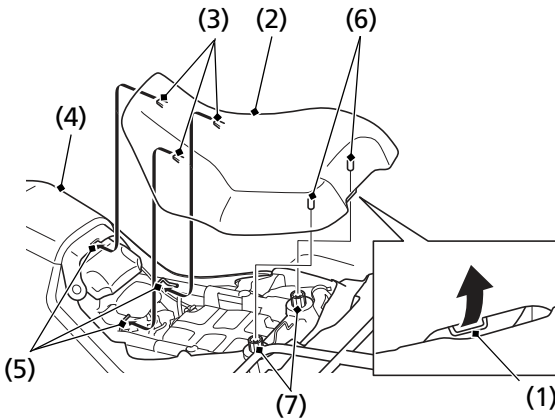


Seat Removal

Refer to *Safety Precautions* on page 107.

The seat must be removed for the air cleaner, engine oil, engine oil filter, spark plug, battery and fuse maintenance and to remove the rear fender cover and tank cover assembly, to access the owner's manual, and air pressure gauge.



- | | |
|------------------|--------------|
| (1) seat latch | (5) hooks |
| (2) seat | (6) studs |
| (3) front prongs | (7) grommets |
| (4) tank cover | |

Removal

1. Pull the seat latch (1) at the rear of the seat.
2. Slide the seat (2) back and lift it.

Installation

1. Insert the front prongs (3) into the backside of the tank cover (4) and hooks (5) on the frame, and press the studs (6) into the grommets (7).
2. Press down on the seat until locks.