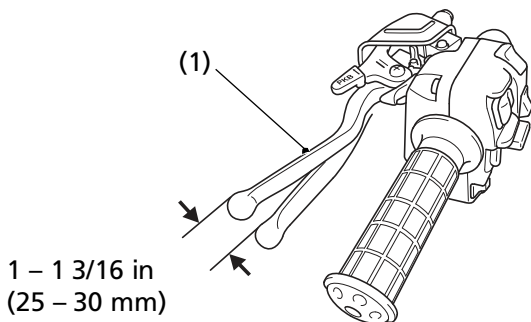


Brakes

Rear Brake Lever Freeplay

LEFT HANDLEBAR



(1) rear brake lever/parking brake lever

Inspection

1. Press down on the rear brake pedal several times.
2. Measure the distance the rear brake lever/parking brake lever (1) moves before the brake starts to take hold. Freeplay (measurement at the tip of the end of the brake lever) should be:
1 - 1 3/16 in (25 - 30 mm)
3. If necessary, adjust to the specified range.