

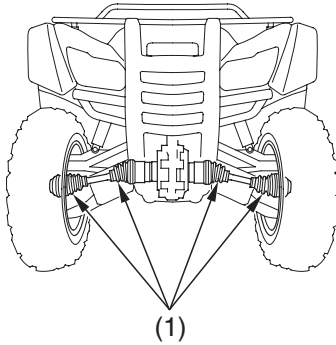
# Drivetrain Boots

---

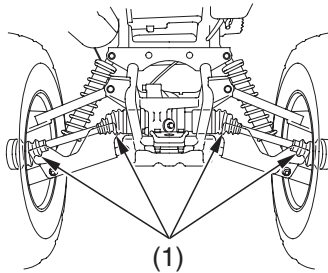
## Front Driveshaft Boots & Rear Driveshaft Boots

Refer to *Safety Precautions* on page 95 .

FRONT



REAR



(1) rubber driveshaft boots

Check the rubber driveshaft boots ( 1 ) for cuts, damage or leaking grease. If necessary, have your dealer replace them.