

If a Fuse Blows

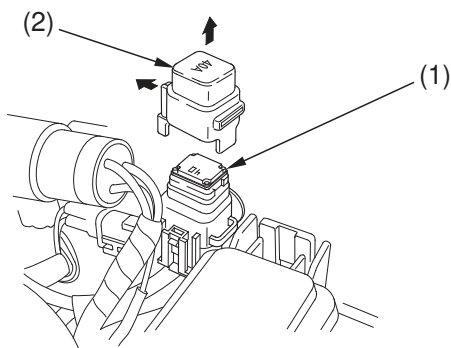
PS (Electric Power Steering) Fuse Access (TRX420FPE only)

1. Turn the ignition switch OFF (○) before checking the fuse.
2. Remove the seat (page 100).
3. Remove the rear fender cover (page 120).
4. To access the PS fuse (1), remove the PS fuse box cover (2).

If the PS fuse is blown, see your dealer for this service.

5. Install the PS fuse box cover.
6. Install the seat.

UNDER REAR FENDER COVER



(1) PS fuse

(2) PS fuse box cover