

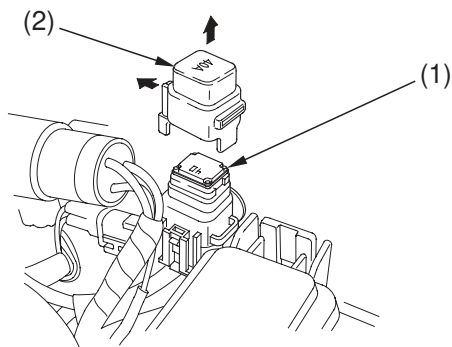
# If a Fuse Blows

---

*PS (Electric Power Steering) Fuse Access (TRX420FPE only)*

1. Turn the ignition switch OFF ( ○ ) before checking the fuse.
2. Remove the seat (page 100 ).
3. Remove the rear fender cover (page 121 ).
4. To access the PS fuse ( 1 ), remove the PS fuse box cover ( 2 ).  
If the PS fuse is blown, see your dealer for this service.
5. Install the PS fuse box cover.
6. Install the rear fender cover.
7. Install the seat.

## UNDER REAR FENDER COVER



(1) PS fuse

(2) PS fuse box cover