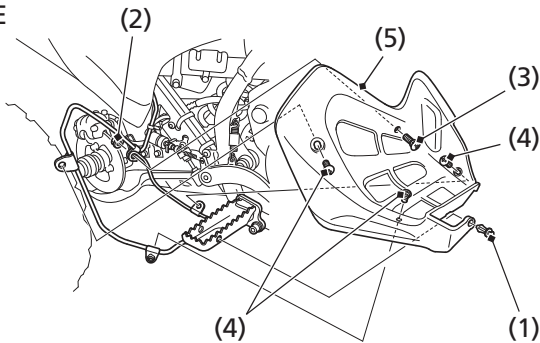


## Right Side Mudguard Removal

Refer to *Safety Precautions* on [page 73](#).

The right side mudguard must be removed to adjust the rear brake light switch.

RIGHT SIDE



(1) clip  
(2) nut

(3) screw A  
(4) screws B

(5) right side mudguard

### Removal

1. Remove the clip (1), the nut (2), and screw A (3).
2. Remove the screws B (4) and right side mudguard (5).

### Installation

Install the right side mudguard in the reverse order of removal.