

Shifting Gears

Your ATV has two gear ranges: Drive (D), and Low (L).

The range select lever (4) is located on the left side of the fuel tank. To select a transmission range, bring the ATV to a complete stop.

NOTICE

If the range select lever is moved while the vehicle is moving, the sub-transmission may be damaged.

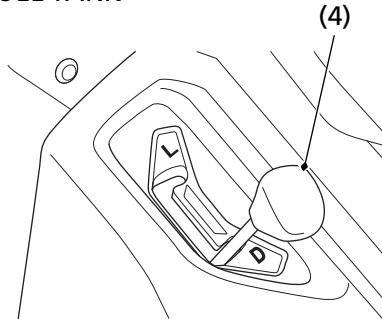
Drive (D) range

Drive is the normal position; use this range for normal riding.

Low (L) range

Use this range to get more power when climbing, for maximum engine braking when going down steep hills, and for towing.

LEFT SIDE OF FUEL TANK



(4) range select lever

If the range select lever will not move easily to another gear range, rock the vehicle back and forth slightly to line up the gears in the sub-transmission.