

# Shifting Gears

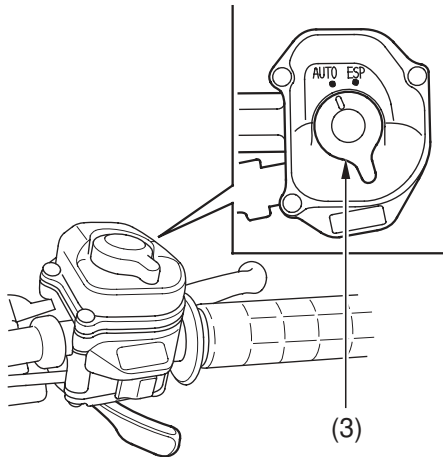
---

The drive mode select switch (3) is located on the right handlebar.

To select the drive mode, bring the ATV to a complete stop and turn the drive mode select switch.

The mode will not change if the switch is operated while the vehicle is moving.

## RIGHT HANDLEBAR



(3) drive mode select switch