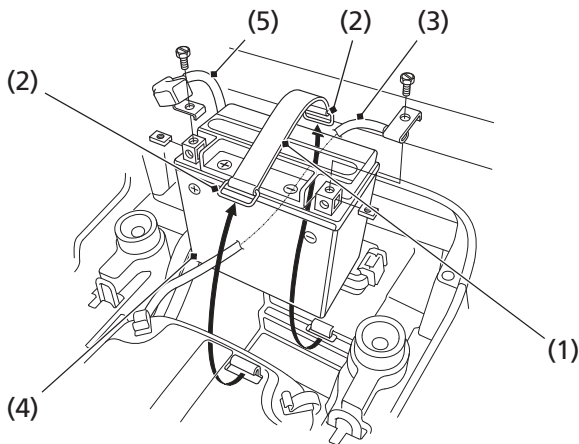


Battery

The battery is located in a compartment under the seat.

UNDER SEAT



(1) rubber band

(2) rings

(3) negative (-) terminal lead

(4) battery

(5) positive (+) terminal lead

Removal

1. Make sure the ignition switch is OFF (w).
2. Remove the seat ([page 116](#)).
3. Remove the rubber band (1) by releasing the rings (2).
4. Disconnect the negative (-) terminal lead (3) from the battery (4) first, then disconnect the positive (+) terminal lead (5).
5. Remove the battery.