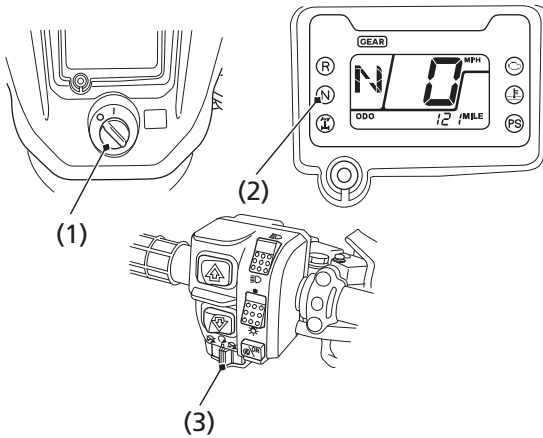


Starting & Stopping the Engine

Always follow the proper starting procedure described below.

For your safety, avoid starting or operating the engine in an enclosed area such as a garage. Your ATV's exhaust contains poisonous carbon monoxide gas which can collect rapidly in an enclosed area and cause illness or death.

Preparation



(1) ignition switch

(2) neutral indicator

(3) engine stop switch

1. Before starting, select a level surface and lock the parking brake ([page 46](#)).
2. Turn the ignition switch (1) to ON (I).

Confirm the following:

- The transmission is in neutral, the neutral indicator (2) is ON and the gear position indicator shows "N".
- The engine stop switch (3) is set to RUN (O).