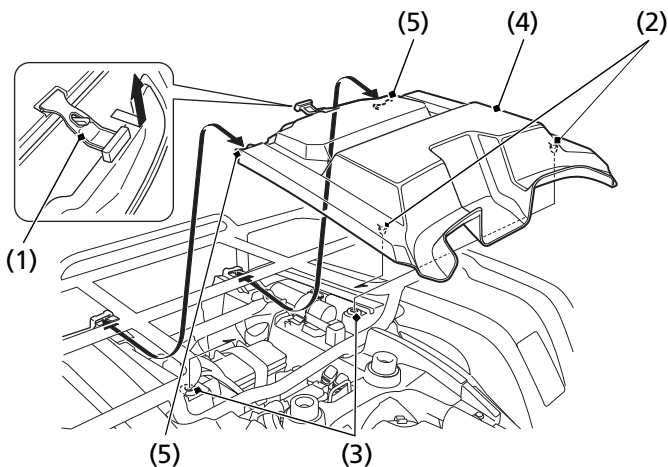


# Rear Fender Cover Removal

---

Refer to *Safety Precautions* on page 111.

The rear fender cover must be removed for the battery and fuse maintenance and to access the owner's manual, air pressure gauge, gear change tool and tool kit.



(1) rubber strap

(2) studs

(3) grommets

(4) rear fender cover

(5) tabs

## Removal

1. Remove the seat (page 122).
2. Unhook the rubber strap (1).
3. Firmly pull the studs (2) from the grommets (3).
4. Slide the rear fender cover (4) forward to disengage the tabs (5).
5. Remove the rear fender cover.

## Installation

Install the rear fender cover in the reverse order of removal.