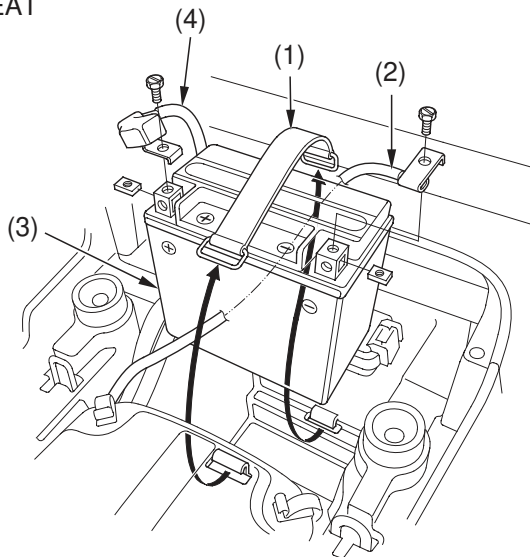


Battery

The battery is located in a compartment under the seat.

UNDER SEAT



- (1) rubber band (3) battery
(2) negative (−) terminal lead (4) positive (+) terminal lead

Removal

1. Make sure the ignition switch is OFF (○).
2. Remove the seat (page 110).
3. Release the rings and remove the rubber band (1).
4. Disconnect the negative (−) terminal lead (2) from the battery (3) first, then disconnect the positive (+) terminal lead (4).
5. Remove the battery.