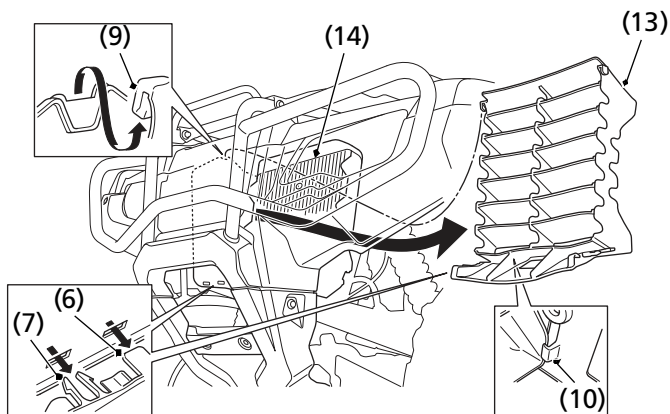


8. TRX500FM6/FM7:

Remove the center radiator grill cover by releasing the tab A, tab B, hook A and hook B.

FRONT (TRX500FM6/FM7)



(6) tab A
(7) tab B
(9) hook A

(10) hook B
(13) center radiator grill cover
(14) radiator core

9. Wash the radiator core (14) and radiator grill covers.

NOTICE

Do not apply pressured water directly to the radiator core. The pressured water can damage the radiator core.

10. Install the removed parts in reverse order of removal.