

# Engine Oil & Filter

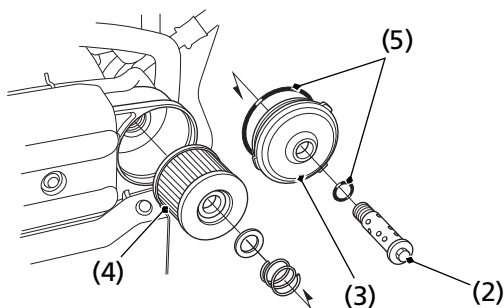
---

## *Install a New Engine Oil Filter:*

- Remove the oil filter bolt (2) and oil filter cover (3).  
Let the remaining oil drain out.
  - Remove the oil filter (4) from the cover.
  - Remove the spring and washer. Do not discard the washer with the old oil filter.
  - Discard the oil filter.
  - Coat new O-rings (5) with oil and install them into the grooves in the oil filter cover and oil filter bolt. Then insert a new oil filter to the oil filter cover.
- Use only the Honda Genuine oil filter or a filter of equivalent quality specified for your model. Using the wrong Honda filter or a non-Honda filter which is not of equivalent quality may cause engine damage.
- Install the oil filter cover and tighten the oil filter bolt. Make sure the oil filter bolt is tightened securely to the specified torque.  
Oil filter bolt torque:  
**13 lbf·ft (18 N·m , 1.8 kgf·m)**

### NOTICE

*Improper installation of the oil filter can cause serious engine damage.*



(2) oil filter bolt

(4) oil filter

(3) oil filter cover

(5) O-rings