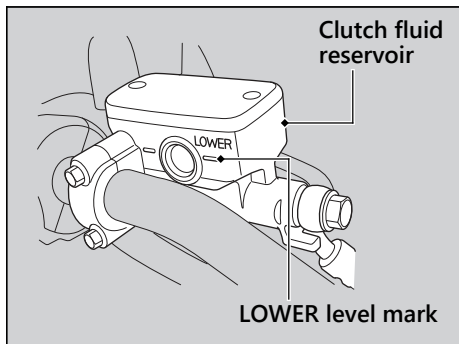


Checking Clutch Fluid

VFR1200X/XA



1. Place your motorcycle in an upright position on a firm, level surface.
2. Check that the clutch fluid reservoir is horizontal and that the fluid level is above the LOWER level mark.

If the fluid level is low or if you find fluid leaks, or deterioration or cracks in the hoses and fittings, have the clutch system serviced by your dealer.