

# Tool Kit

The tool kit (1) is stored on the face of the ignition switch case (2) behind the ignition switch cover (3).

## Ignition Switch Cover Removal

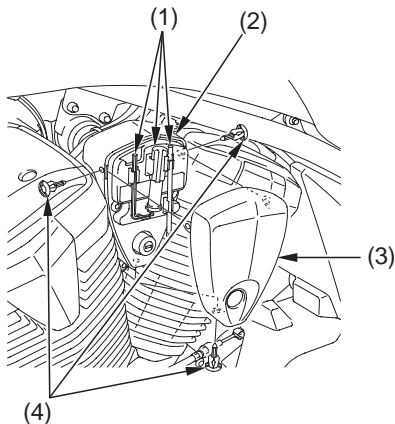
1. Remove the clips (4) (page 82).
2. Remove the ignition switch cover.

## Ignition Switch Cover Installation

1. Install the ignition switch cover.
2. Install the clips.

An optional, larger tool kit may be available. Check with your Honda dealer's parts department.

## LEFT SIDE



- |                          |                           |
|--------------------------|---------------------------|
| (1) tool kit             | (3) ignition switch cover |
| (2) ignition switch case | (4) clips                 |