

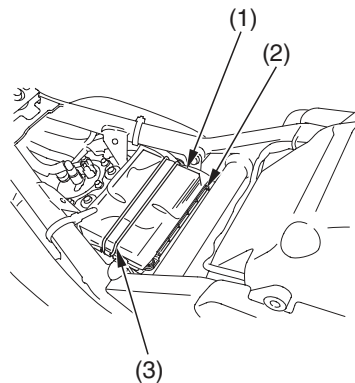
## Owner's Manual Storage

Your motorcycle provides storage for the owner's manual so you'll have it with you for easy reference. Store your owner's manual (and other documents) in the plastic storage bag (1) in the owner's manual storage compartment (2) under the seat (page 77).

Unhook the band (3) and remove the plastic storage bag.

Be careful not to flood this area when washing your motorcycle.

### UNDER SEAT



- (1) plastic storage bag
- (2) owner's manual storage compartment
- (3) band