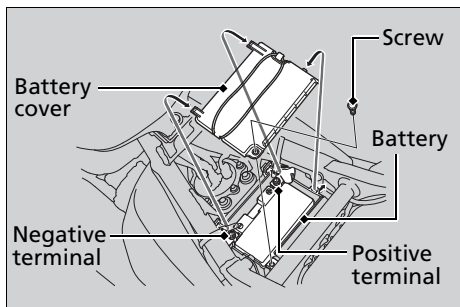


## Battery



### Removal

Make sure the ignition switch is off.

1. Remove the seat. ► P. 48
2. Remove the battery cover by removing the screw.
3. Disconnect the negative  $\ominus$  terminal from the battery.
4. Disconnect the positive  $\oplus$  terminal from the battery.
5. Remove the battery taking care not to drop the terminal nuts.

### Installation

Install the parts in the reverse order of removal. Always connect the positive  $\oplus$  terminal first. Make sure that bolts and nuts are tight. Make sure the clock is set to the proper time after the battery is reconnected. ► P. 19 For proper handling of the battery, see "Maintenance Fundamentals." ► P. 39 Battery Goes Dead ► P. 89