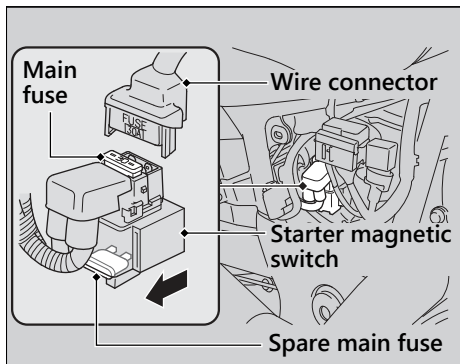


Main Fuse



1. Remove the right side cover. ► P. 53
2. Disconnect the wire connector of the starter magnetic switch.
3. Pull the main fuses out and check for a blown fuse. Always replace a blown fuse with a spare fuse of the same rating.
► Spare main fuse is located under the starter magnetic switch.
4. Reinstall parts in the reverse order of removal.

NOTICE

If a fuse fails repeatedly, you likely have an electrical problem. Have your motorcycle inspected by your dealer.