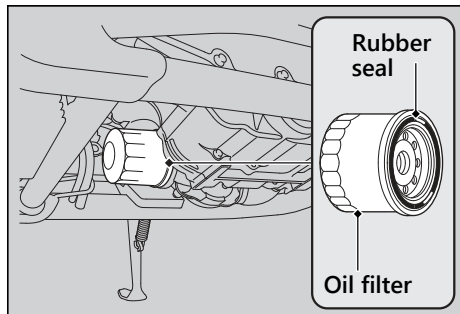


6. Remove the oil filter with a filter wrench and let the remaining oil drain out. Make sure the prior seal is not stuck to the engine.
  - Discard the oil and oil filter at an approved recycling center.



7. Apply a thin coat of engine oil to the rubber seal of a new oil filter.

8. Install the new oil filter and tighten.

**Torque:** 19 lbf·ft (26 N·m, 2.7 kgf·m)

9. Install a new sealing washer onto the drain bolt. Tighten the drain bolt.

**Torque:** 21 lbf·ft (29 N·m, 3.0 kgf·m)

10. Fill the crankcase with the recommended oil (► P. 44, ► P. 122) and install the oil fill cap/dipstick.

**Required oil**

**When changing oil & engine oil filter:**

2.7 US qt (2.6 L)

**When changing oil only:**

2.6 US qt (2.5 L)

11. Check the oil level. ► P. 56
12. Check that there are no oil leaks.