

## Engine Oil & Filter

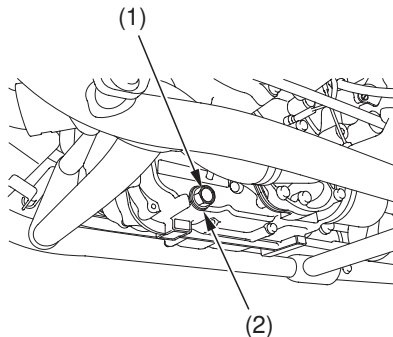
---

This procedure requires mechanical skill and professional tools such as a torque wrench and oil filter wrench, as well as a means for disposing of the drained fluid (page 146 ). If you do not have the skills or the tools, see your dealer.

### *Drain the Engine Oil:*

1. Park the motorcycle on its side stand on a firm, level surface.
2. If the engine is cold, start it and let it idle for 3–5 minutes. Turn the engine off. Wait 2–3 minutes for the oil to settle.
3. Place a drain pan under the engine oil drain bolt ( 1 ).
4. To drain the oil, remove the oil fill cap/dipstick, engine oil drain bolt, and sealing washer ( 2 ).

### LEFT FRONT, UNDER ENGINE



- (1) engine oil drain bolt  
(2) sealing washer