

Engine Oil & Filter

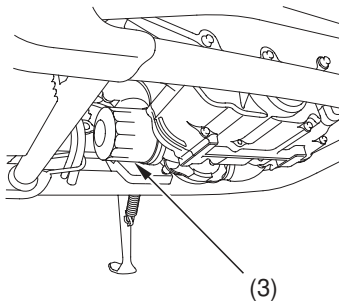
Install a New Oil Filter:

5. Remove the oil filter (3) with a filter wrench and let the remaining oil drain out. Discard the oil filter in an approved manner (page 146).
6. Pour the drained oil into a suitable container and dispose of it in an approved manner (page 146).

NOTICE

Improper disposal of drained fluids is harmful to the environment.

RIGHT REAR, UNDER ENGINE



(3) oil filter

(cont'd)