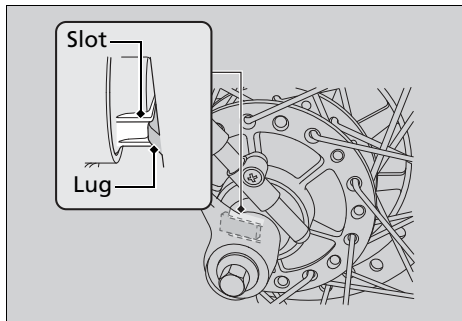


Installation

1. Attach the side collar and speedometer gearbox to the front wheel.
2. Position the wheel between the fork legs and insert the front axle shaft from the right side, through the right fork leg and wheel hub.

NOTICE

When installing the wheel, carefully fit the brake disc between the pads to avoid scratching them.



3. Make sure that the lug on the right fork leg is located in the slot of the speedometer gearbox.
4. Tighten the front axle nut.

Torque: 44 N·m (4.5 kgf·m, 32 lbf·ft).

5. Install the rubber cap onto the front axle nut.
6. After installing the wheel, apply the brake lever several times and then check if the wheel rotates freely. Recheck the wheel if the brake drags or if the wheel does not rotate freely.
7. Install the speedometer cable and tighten the speedometer cable set screw securely. If a torque wrench was not used for installation, see your dealer as soon as possible to verify proper assembly. Improper assembly may lead to loss of braking capacity.