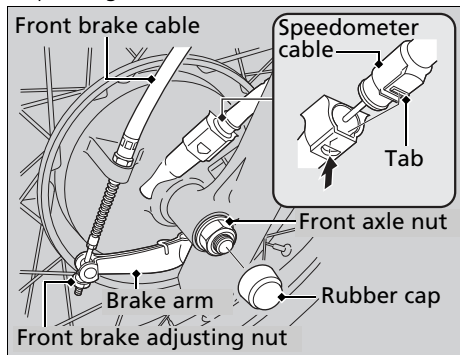


## Front Wheel

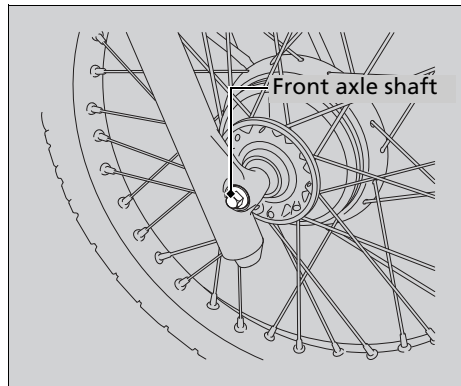
### Removal

XL125LEK

1. Place your motorcycle on its side stand on a firm, level surface.
2. Raise the front wheel off the ground using a maintenance stand or a hoist.
3. Remove the speedometer cable by pushing the tab.



4. Remove the front brake adjusting nut and remove the front brake cable from the brake arm.



5. Remove the rubber cap and front axle nut.
6. Remove the front axle shaft, side collar, and the wheel.