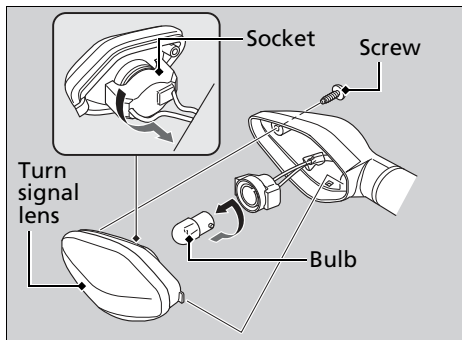
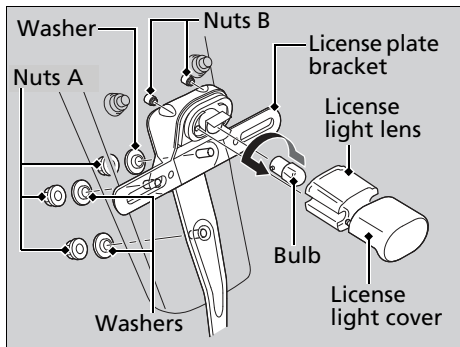


Front/Rear Turn Signal Bulb



1. Remove the turn signal lens by removing the screw.
2. Turn the socket counterclockwise, and remove it.
3. Slightly press the bulb in and turn it counterclockwise.
4. Install a new bulb and parts in the reverse order of removal.
► Use only the amber bulb.

License Plate Light Bulb



1. Remove the nuts A, washers and license plate bracket.
2. Remove the nuts B, license light cover and license light lens.
3. Slightly press the bulb in and turn it counterclockwise.
4. Install a new bulb and parts in the reverse order of removal.