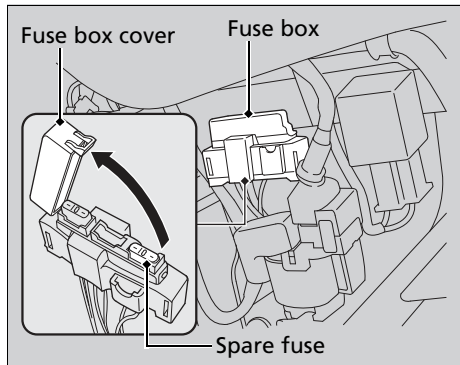


Blown Fuse

Before handling fuses, see “Inspecting and Replacing Fuses.” ► P. 44

Fuse Box Fuses



1. Remove the left side cover. ► P. 54
2. Open the fuse box cover.
3. Pull out the fuses and check for a blown fuse. Always replace a blown fuse with a spare of the same rating.
4. Close the fuse box cover.
5. Install the parts in the reverse order of removal.