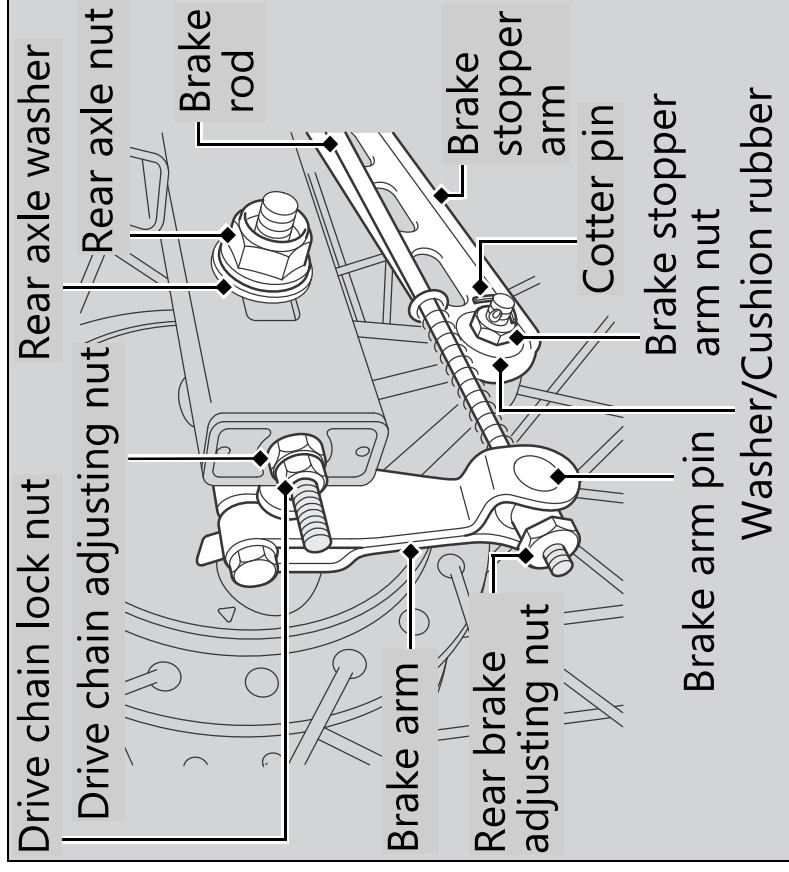


Rear Wheel

CFT125MS

Removal

1. Support your motorcycle securely and raise the rear wheel off the ground using the centre stand or a hoist.
2. Remove the rear brake adjusting nut.
3. Disconnect the brake rod from the brake arm by pushing down on the rear brake pedal.
4. Remove the brake arm pin from the brake arm.
5. Disconnect the brake stopper arm from the brake panel by removing the cotter pin, brake stopper arm nut, washer, cushion rubber.
6. Loosen the drive chain lock nuts and drive chain adjusting nuts on both sides of the swingarm.



7. Remove the rear axle nut and rear axle washer while holding the rear axle shaft at the other rear with a wrench.
8. Remove the drive chain from the driven sprocket by pushing the rear wheel forward.