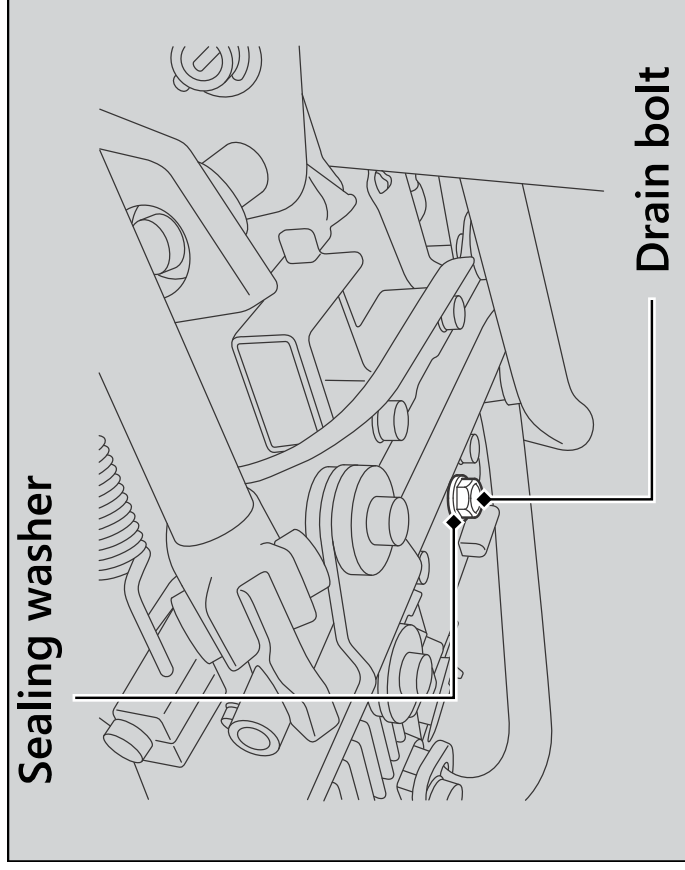


3. Place your vehicle on its centre stand on a firm, level surface.
4. Place a drain pan under the drain bolt.
5. Remove the oil fill cap/dipstick, drain bolt and sealing washer to drain the oil.
 - Discard the oil at an approved recycling centre.



6. Install a new sealing washer onto the drain bolt. Tighten the drain bolt.

Torque: 24 N·m (2.4 kgf·m, 18 lbf·ft)

7. Fill the crankcase with the recommended oil (► P. 41, ► P. 101) and install the oil fill cap/dipstick.

Required oil

When changing oil:

0.7 L (0.7 US qt, 0.6 Imp qt)

8. Check the oil level. ► P. 53
9. Check that there are no oil leaks.