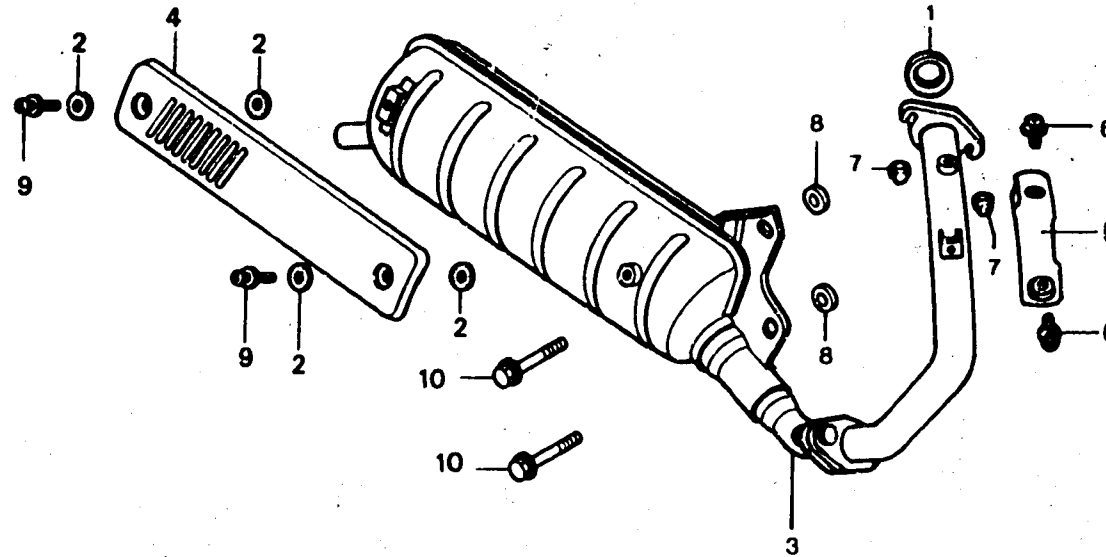


H 8

F-15

Exhaust muffler



FR.

GY18 - F1500

Service item	F.R.T.	Ref. No.	Part No.	Description	Reqd No.		Serial No.	Area Code
					SA50	8 1/4		
MUFFLER COMP., EX.	0.2	1	18291-GA7-000	GASKET, EX. PIPE	1	-		
PROTECTOR, MUFFLER	0.1		18291-GY1-940	GASKET EX. PIPE	-	1		
PIPE COMP. A, EX.	0.3	2	18292-147-000	PACKING, MUFFLER PROTECTOR	4	4		
		3	18301-GY1-900	MUFFLER ASSY.	1	-		- E, PO
			18301-GY1-910	MUFFLER ASSY.	1	-		- B, F
			18301-GY1-930	MUFFLER ASSY.	1	-		- H
			18301-GY1-940	MUFFLER ASSY.	-	1		
			18301-GY1-960	MUFFLER ASSY.	1	-		- IT
		4	18318-GJ6-000ZE	PROTECTOR, MUFFLER 'NH105'	1	1		
		5	18325-GR1-003	PROTECTOR, EX. PIPE	1	1		
		6	90049-GR1-000	SCREW-WASHER, 5X6	2	2		