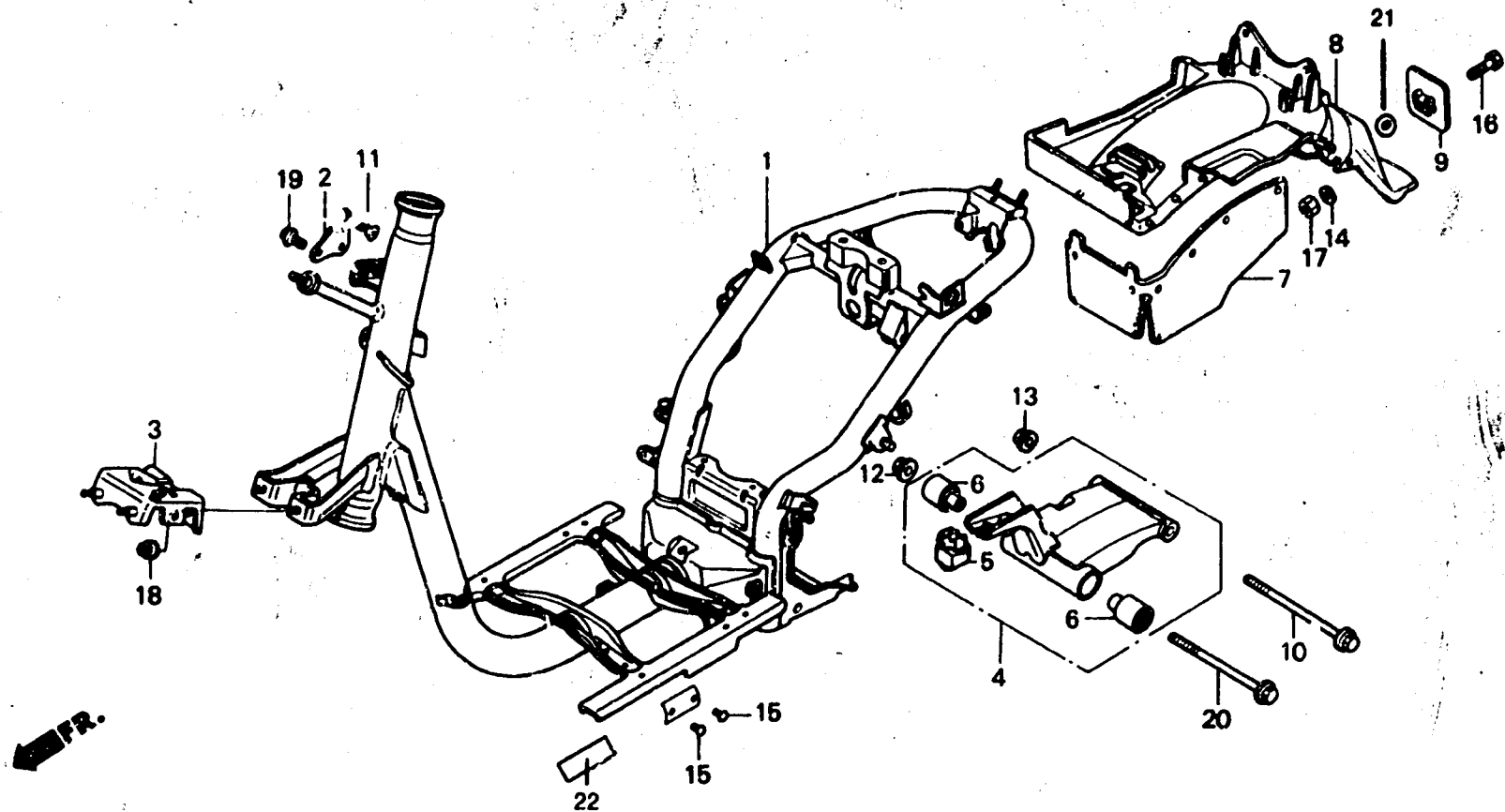


I 2

F-21

Frame body -  
Rear fender



GY18 - F2100

Service item	F.R.T.	Ref. No.	Part No.	Description	Reqd No.		Serial No.	Area Code
					SA50 M	SM		
BODY COMP., FRAME .....	3.9	1	50100-GY1-901ZA	BODY COMP., FRAME 'NH1'	1	1	.....	-B, E, F, IT, PO
STAY, FR. COVER SETTING .....	0.3		50100-GY1-931ZA	BODY COMP., FRAME 'NH1'	1	-	.....	-H
LINK ASSY., ENGINE HANGER .....	0.7	2	50123-GN2-010	PLATE, HANDLE LOCK	1	1	.....	.....
FENDER, RR. ....	0.5	3	50135-GS7-000	STAY, FR. COVER SETTING	1	1	.....	.....
		4	50350-GY1-900	LINK ASSY., ENGINE HANGER	1	1	.....	.....
		5	50352-GS7-000	RUBBER, LINK STOPPER	1	1	.....	.....
		6	50353-GE8-000	BUSH, ENGINE HANGER RUBBER	2	2	.....	.....
		7	80104-GY1-900	PLATE, SPLASH GUARD	1	1	.....	.....
		8	80105-GY1-900	FENDER, RR.	1	-	.....	-B, E, F, IT, PO
			80105-GY1-930	FENDER, RR.	1	-	.....	-H
			80105-GY1-940	FENDER, RR.	-	1	.....	.....
		9	84209-148-611	PLATE, IDENTIFICATION (BLACK)	1	-	.....	-H
			84209-148-673	PLATE, IDENTIFICATION (YELLOW)	-	1	.....	.....