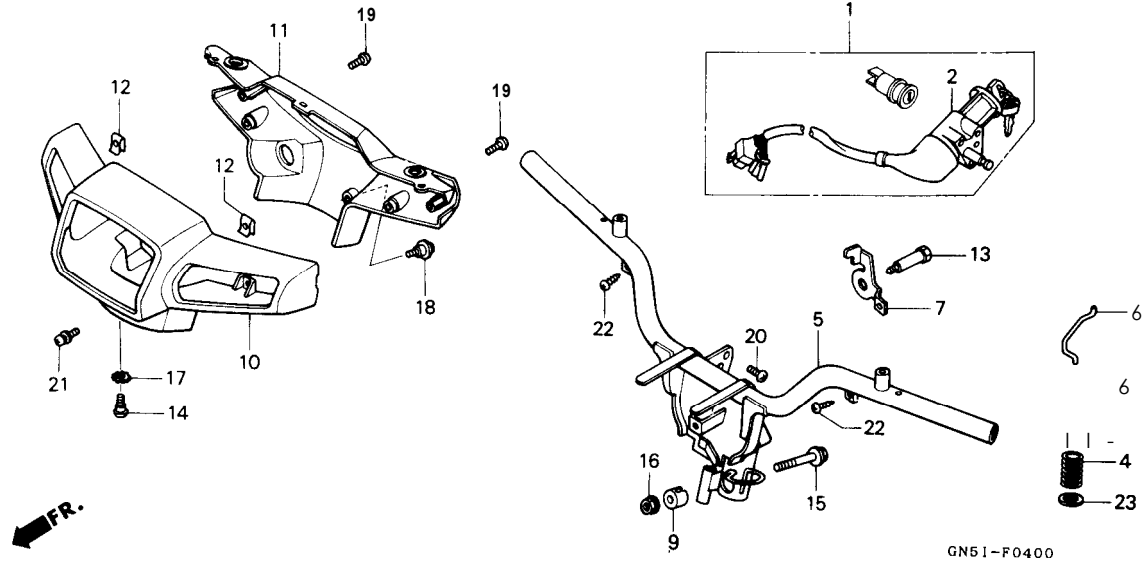


F -4

Steering handle.
Handle cover



GN51-F0400

Service item Bagian yang diservis	F. R. T. N	Ref.No. omor Petunjuk	Part No. Nomor Part	Description Nama Part	Reqd. No. Jumlah C100 K2 M2	Serial No. Nomor Serie	Notes Catatan
- KEY SET.....	0 . 8	1	35010-GN5-830	KEY SET.....	(1)(1)		
SWITCH ASSY., COMBINATION & LOCK	0.6	2	35100-GN5-830	SWITCH ASSY., COMBINATION & LOCK	(1)(1)		
HANDLE COMP., STEERING.....	0.7	4	47133 - GN 5 900	SPRING, HANDLE LOCK.....	(1)(1)		
LEVER, HANDLE LOCK.....	0.4	5	53100-GN5-830	HANDLE COMP., STEERING.....	(1)(1)		
PIN, HANDLE LOCK							
COVER, FR. HANDLE.....	0.3	6	53107-GN5-900	ROD, HANDLE LOCK.....	(1)(1)		
COVER, RR. HANDLE							
		7	53108-GN5-900	LEVER, HANDLE LOCK.....	(1)(1)		
		8	53109-GN5-780	PIN, HANDLE LOCK.....	(1)(1)		
		9	53125 GN5 - 900	COLLAR, HANDLE SETTING.....	(1)(1)		
		10	53205 - GN5 - 830FMB	COVER, FR. HANDLE *NH1*.....	(1)(1)		
			53205 GN5 830FMD	COVER, FR. HANDLE *R131CU*.....	(1)(1)		
			53205 - GN5 830FMN	COVER, FR. HANDLE *NH229MU*.....	(1)(1)		
			53205- GN 5 - 830 FMM	COVER, FR. HANDLE *PB161CU*.....	(1)(1)		
		11	53206 - GN 5 830 FMB	COVER, RR. HANDLE *NH1*.....	(1)(1)		
		12	64521-MN5-000	NUT, CLIP, 4MM.....	2 2		
		13	90023-GN2-000	BOLT, SEAT LOCK.....	1 1		
		14	90101 -GJ6-000	BOLT, ADJUSTING.....	1 1		
		15	90106-GN5-900	BOLT, FLANGE, 10X50.....	1 1		
		16	90304-GE8-003	NUT, U, 10MM.....	1 1		
		17	90307-GJ6-003	WASHER, LOCK, &MM.....	1 1		
		18	91508-GC8-000	SCREW, PAN, 5X7.....	(1)(1)		
		19	93500 - 04016 OA	SCREW, PAN, 4X16.....	(2)(2)		
		20	93500 06010	SCREW, PAN, 6 x 10	(2) (2)		
		21	93891 05020 - 07	SCREW-WASHER, 5 x 20	1 1		
		22	93903 34380	SCREW, TAPPING, 4 x 12 (2) (2)		
		23	94102 -10000	WASHER, PLAIN, 10 MM ((1) (1)		