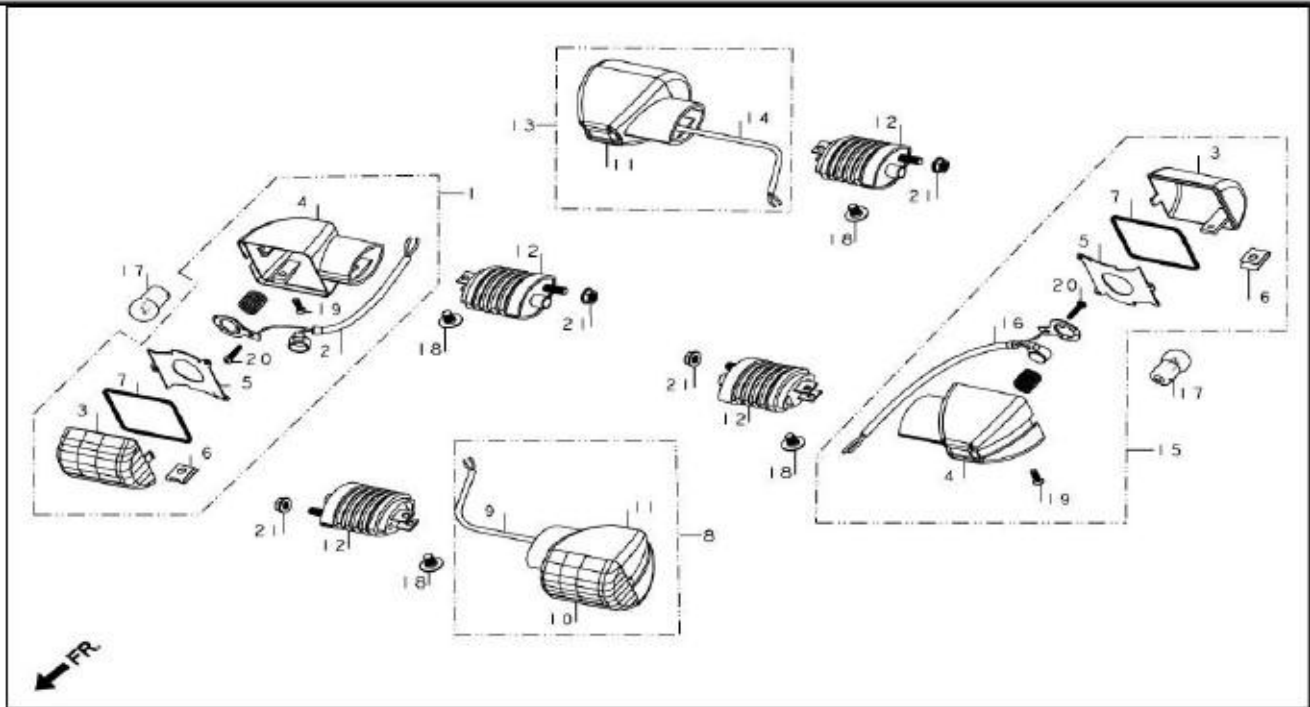


F-22
WINKERS



Service Item	F.R.T.	BOM Of Group Number: F-22 Model :: CD Dawn (Apr, 2003)			
		Ref No.	Part Number	Description	Req.
WINKER ASSY., RIGHT FRONT	0.2	1	3340B-198-D20	WINKER ASSY., RIGHT FRONT	1
WINKER ASSY., LEFT FRONT	0.2	2	33401-KCC-900	CORD COMP., WINKER `R' FR	1
(ADD 0.1 FOR EACH)	--	3	33402-198-D20	LENS, WINKER RIGHT FRONT/ LEFT REAR	2
(INC. RELATIVE PART)	--	4	33404-KCC-900	BASE COMP., RIGHT FRONT/LEFT REA	2
WINKER ASSY., RIGHT REAR	0.3	5	33405-198-D20	REFLECTOR, WINKER	4
WINKER ASSY., LEFT REAR	0.3	6	33407-KCC-900	SPECIAL NUT	4
(ONE OR ALL)	--	7	33408-KCC-900	PACKING, LENS	4
(INC. RELATIVE PART)	--	8	3345B-198-D20	WINKER ASSY., LEFT FRONT	1
(EXC. RELATED PARTS BELOW)	--	9	33452-198-D20	CORD COMP., WINKER `L' FR	1
BULB, WINKER (12V-10W)	0.1	10	33454-KCC-900	LENS, WINKER LEFT FRONT/ RIGHT REAR	2
WHEN SERVICING COMP., UNIT,	--	11	33490-198-D00	BASE COMP., LEFT FRONT/ RIGHT REAR	2
(F.R.T. IS 0.2)	--	12	3360B-198-D20	STAY,WINKER	4
		13	33601-KCC-900	WINKER ASSY., RIGHT REAR	1
		14	33651-KCC-900	CORD COMP., WINKER `R' RR	1
		15	3365B-198-D20	WINKER ASSY., LEFT REAR	1
		16	34905-271-000	CORD COMP., WINKER `L' RR	1
		17	90380-MB2-000	BULB, WINKER (12V-10W)	4
		18	93700-04012-1G	SCREW, SPECIAL, 6 X 8	4
		19	93901-34420	SCREW OVAL 4 X 12	4
		20	94050-06000	SCREW ,TAPPING,4 X 16	4
		21		NUT, FLANGE, 6 MM	4