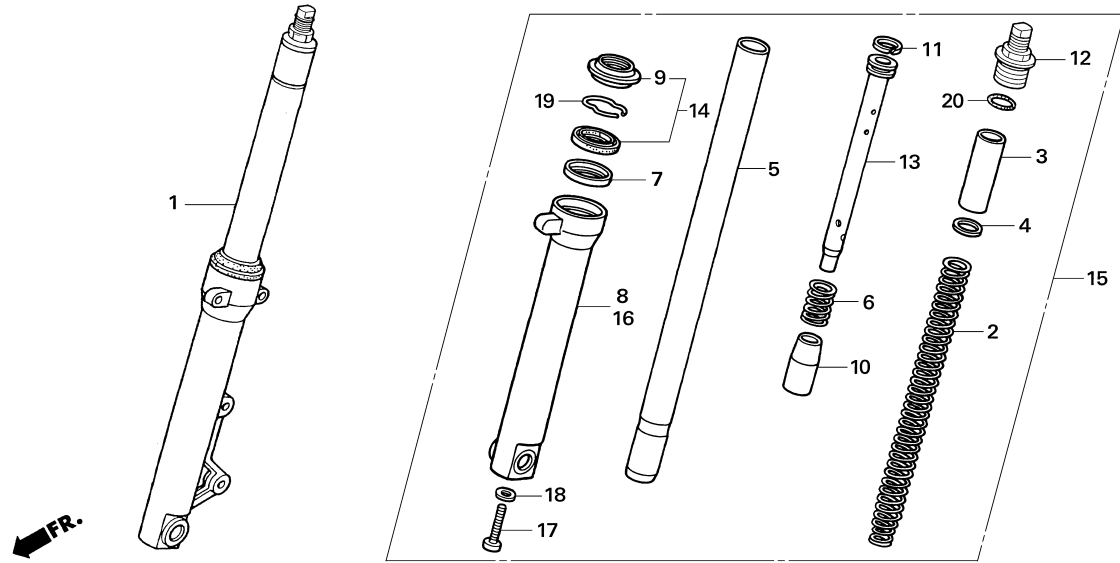


Block No.

F-7
FRONT FORK

2006 NSF100



| Ref. No. | Part No. | Description | Reqd. No. | Remarks |
|----------|-----------------|---|-----------|--------------|
| • 1 | 51400-NLA-003 | FORK ASSY., R. FRONT | 1 | |
| • 2 | 51401-NLA-003 | SPRING, FRONT FORK (SHOWA)..... | 2 | K=0.5kgf/mm |
| • | 51402-NLA-003 | SPRING, FRONT FORK (SHOWA)..... | (2) | K=0.55kgf/mm |
| 3 | 51402-GT4-971 | COLLAR, SPRING | 2 | |
| 4 | 51403-KW6-961 | PLATE, SPRING JOINT | 2 | |
| 5 | 51410-GT4-971 | PIPE COMP., FRONT FORK..... | 2 | |
| 6 | 51412-GC4-003 | SPRING, FRONT CUSHION REBOUND..... | 2 | |
| • 7 | 51412-NLA-003 | RING, BACK UP..... | 2 | |
| 8 | 51420-GT4-003ZB | SLIDER COMP., R. FRONT FORK *NH146* | 1 | |
| 9 | 51425-961-013 | DUST SEAL | 2 | |
| 10 | 51432-GF5-731 | PIECE, OIL LOCK | 2 | |
| 11 | 51437-GS3-003 | RING, PISTON..... | 2 | |
| • 12 | 51450-NLA-003 | BOLT COMP., FORK..... | 2 | |
| • 13 | 51470-NLA-003 | PIPE, SEAT (SHOWA) | 2 | |
| 14 | 51490-GS9-305 | SEAL SET, FRONT FORK..... | 2 | |
| • 15 | 51500-NLA-003 | FORK ASSY., L. FRONT..... | 1 | |
| 16 | 51520-GT4-003ZB | SLIDER COMP., L. FRONT FORK *NH146* | 1 | |
| 17 | 90116-383-721 | BOLT, SOCKET, 8MM..... | 2 | |
| 18 | 90544-283-000 | WASHER, SPECIAL, 8MM..... | 2 | |
| 19 | 90601-GF5-731 | RING, OIL SEAL STOPPER | 2 | |
| 20 | 94608-50000 | O-RING, 23X2.8..... | 2 | |