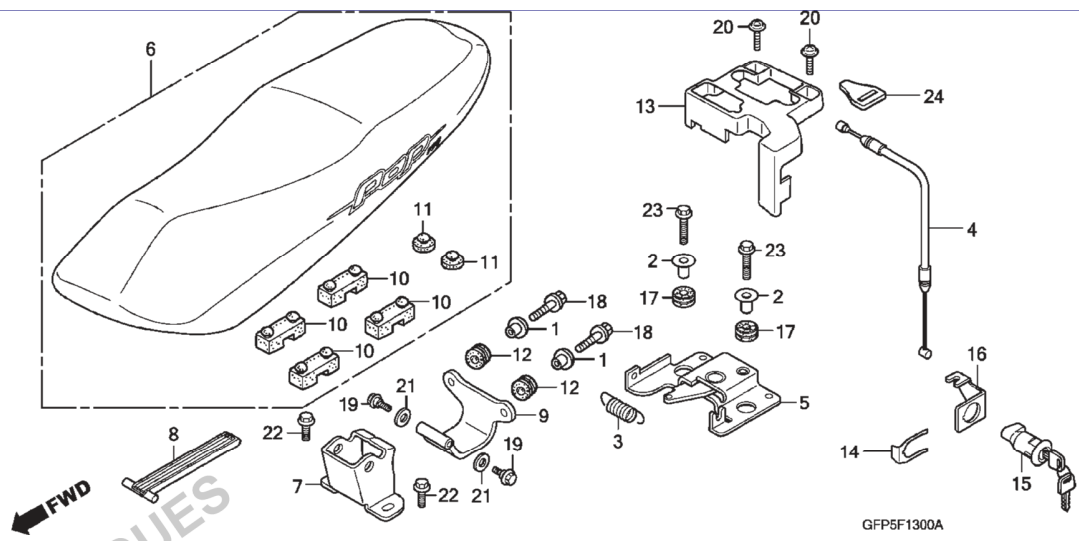


**C-13**



GFP5F1300A