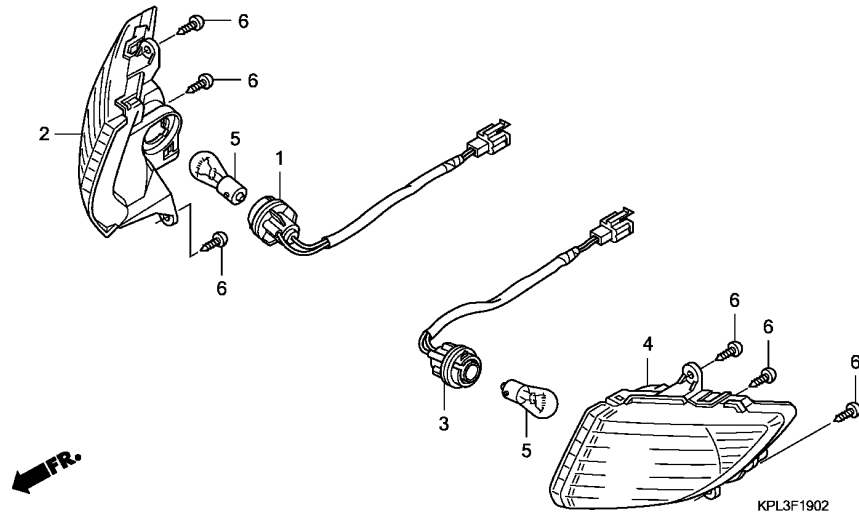


F-19-2

FRONT WINKER(SCV1109)

I11



| Ref. No. | L.O.N. | (Relative ref. Number) Description | F.R.T. |
|----------|--------|--|--------|
| 1 | 6161B6 | SOCKET, WINKER :RIGHT FRONT .. .NOTE: Same time for two units | 0.2 |
| 2 | 6161L4 | LENS, FRONT WINKER :RIGHT ---- .NOTE: Same time for two units | 0.3 |
| 3 | 6161B5 | SOCKET, WINKER :LEFT FRONTNOTE: Same time for two units | 0.2 |
| 4 | 6161L3 | LENS, FRONT WINKER :LEFTNOTE: '09 model | 0.3 |
| 5 | 6161V1 | BULB, WINKER(A) :FRONTNOTE: Same time for two units | 0.2 |
| | 6161V3 | BULB, WINKER(A) :FOR 1 VEHICLE | 0.5 |

| Ref. No. | Part No. | Description | Reqd. QTY | | Serial No. | Parts catalogue code |
|----------|---------------|-------------------------------|-----------|---------|------------|----------------------|
| | | | SCV100CM | SCV1109 | | |
| | | | 2 | 5 | 9 | |
| 1 | 33405-KWP-901 | SOCKET COMP., R. | - | - | 1 | |
| 2 | 33410-KWP-901 | LENS COMP., R. | - | - | 1 | |
| 3 | 33455-KWP-901 | SOCKET COMP., L. | - | - | 1 | |
| 4 | 33460-KWP-901 | LENS COMP., L. | - | - | 1 | |
| 5 | 34904-KTE-910 | BULB, WINKER (AMBER)(12V 21W) | - | - | 2 | |
| 6 | 93903-24310 | SCREW, TAPPING, 4X12 | - | - | 6 | |

3