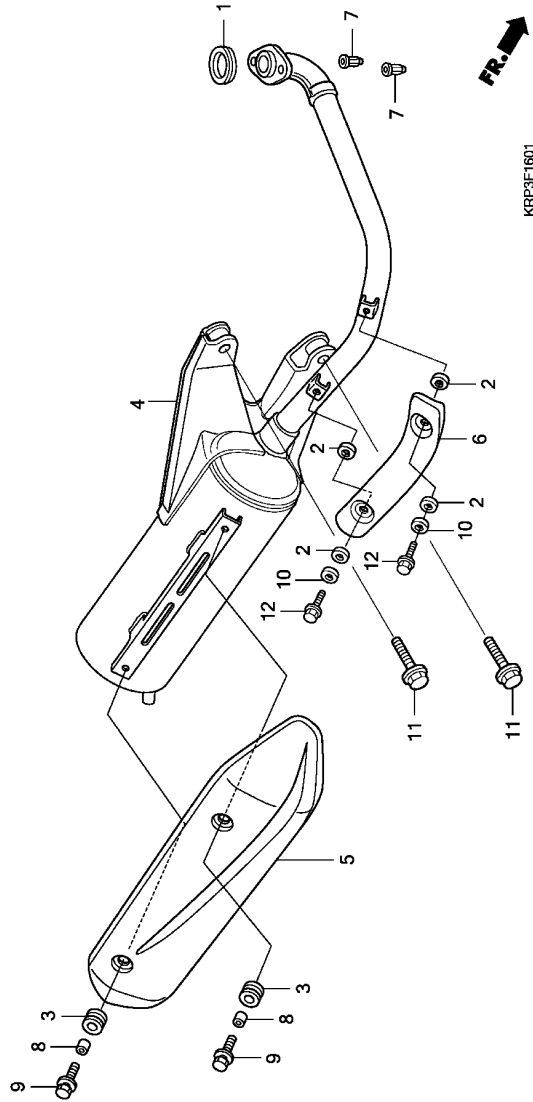


**F-16-1**

**EXHAUST MUFFLER (SCV100G8,SCV110GA)**

**K 2**

Ref. No.	L.O.N.	(Relative ref. Number)	Description	F.R.T.
1	3131B4		GASKET, EXHAUST PIPE	0.2
4	313120		MUFFLER	0.2
5	313121		PROTECTOR, MUFFLER	0.1
6	313125		COVER, EXHAUST PIPE	0.1



Ref. No.	Part No.	Description	Reqd. QTY				Serial No.	Parts catalogue code
			F3	SCV100 F5 G8	F9	SCV110 GA		
1	18292-GY1-610	GASKET, EX. PIPE	-	1	-	1		
2	18292-KTP-900	PACKING, PROTECTOR	-	1	-	4		
3	18293-KVT-900	RUBBER, PROTECTOR PACKING	-	2	-	2		
4	18300-KVT-900	MUFFLER COMP., EX.	-	1	-	-	----- ID,2ID	
	18300-KVT-920	.....	-	1	-	-	----- 3ID,4ID	
	18300-KVT-940	.....	-	1	-	1		
5	18318-KVT-900	PROTECTOR, MUFFLER	-	1	-	1		
6	18319-KRP-900	PROTECTOR, EX. PIPE	-	1	-	-		
	18319-KVT-940	.....	-	-	-	1		
7	90308-KPL-840	NUT, CAP, 6MM	-	2	-	2		
8	90312-KVT-900	COLLAR, 9.5X10	-	2	-	2		
9	93404-06020-07	BOLT-WASHER, 6X20	-	2	-	2		
10	94101-06700	WASHER, PLAIN, 6MM	-	2	-	2		
11	95801-10040-07	BOLT, FLANGE, 10X40	-	2	-	2		
12	96001-06010-07	BOLT, FLANGE, 6X10	-	2	-	2		