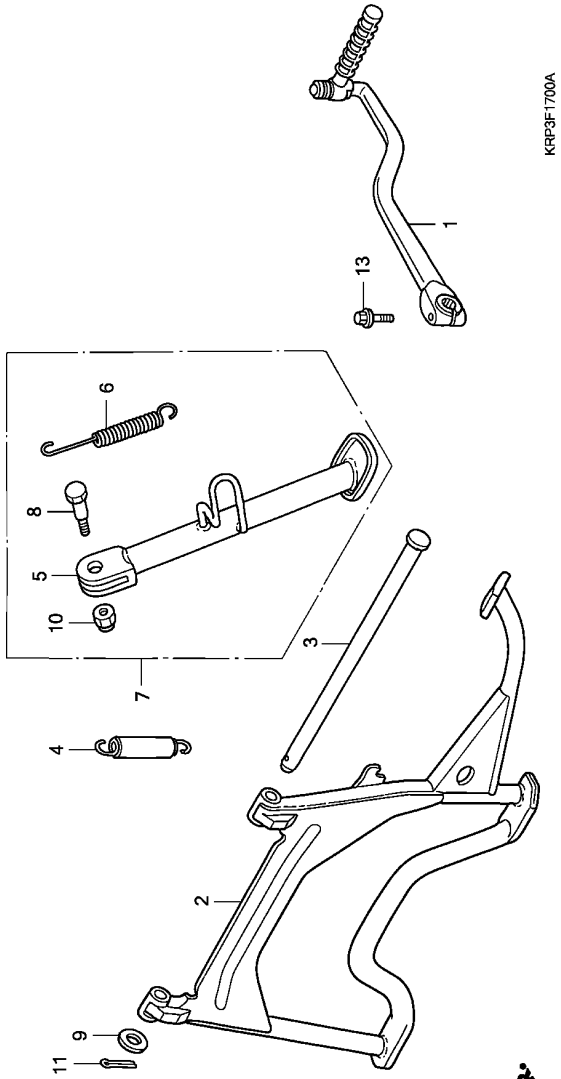


Ref. No.	L.O.N.	(Relative ref. Number)	Description	F.R.T.
1	112107		ARM, KICK STARTER	0.1
2	410175		STAND, MAIN	0.3
4	410176		SPRING, MAIN STAND	0.2
5	410180	(7)	BAR, SIDE STAND	0.2
6	410182		SPRING, SIDE STAND	0.1



Ref. No.	Part No.	Description	Reqd. QTY					Serial No.	Parts catalogue code
			F3	F5	G8	F9	GA		
1	28300-KPL-900	ARM ASSY., KICK STARTER	1	1	1	1	1		
	28300-KVT-900	-	-	-	-	-		
2	50500-KPL-900	STAND COMP., MAIN	1	1	1	1	1		
	50500-KRP-980	-	-	-	-	-		
	50500-KVT-900	-	-	-	-	-		
	50500-KWP-900	-	-	-	-	-		
3	50503-GCC-000	SHAFT, MAIN STAND	1	1	1	1	1		
4	50505-GCC-000	SPRING ASSY., MAIN STAND	1	1	1	1	1		
5	50530-KPL-900	BAR COMP., SIDE STAND	(1)	(1)	-	(1)	-		
	50530-KVT-900	-	-	(1)	-	(1)		
6	50536-KPL-900	SPRING, SIDE STAND	(1)	(1)	(1)	(1)	(1)		
7	50560-KPL-900	STAND SET, SIDE	(1)	(1)	-	(1)	-		
8	90109-KPL-900	BOLT, SIDE STAND PIVOT	(1)	(1)	(1)	(1)	(1)		
9	90113-GCC-000	WASHER	1	-	-	-	-		
	94102-12000	WASHER, PLAIN, 12MM	-	1	1	1	1		
10	90304-KCS-920	NUT, U, 10MM	(1)	(1)	-	(1)	-		
	90304-KTE-911	NUT, FLANGE SPECIAL, 10MM (SIMMONDS MARSHALL)	-	-	(1)	-	(1)		
11	94201-25250	PIN, SPLIT, 2.5X25	1	1	1	1	1		
13	95701-06022-07	BOLT, FLANGE, 6X22	1	1	-	-	-		
	95701-08025-07	BOLT, FLANGE, 8X25	-	-	1	1	1		