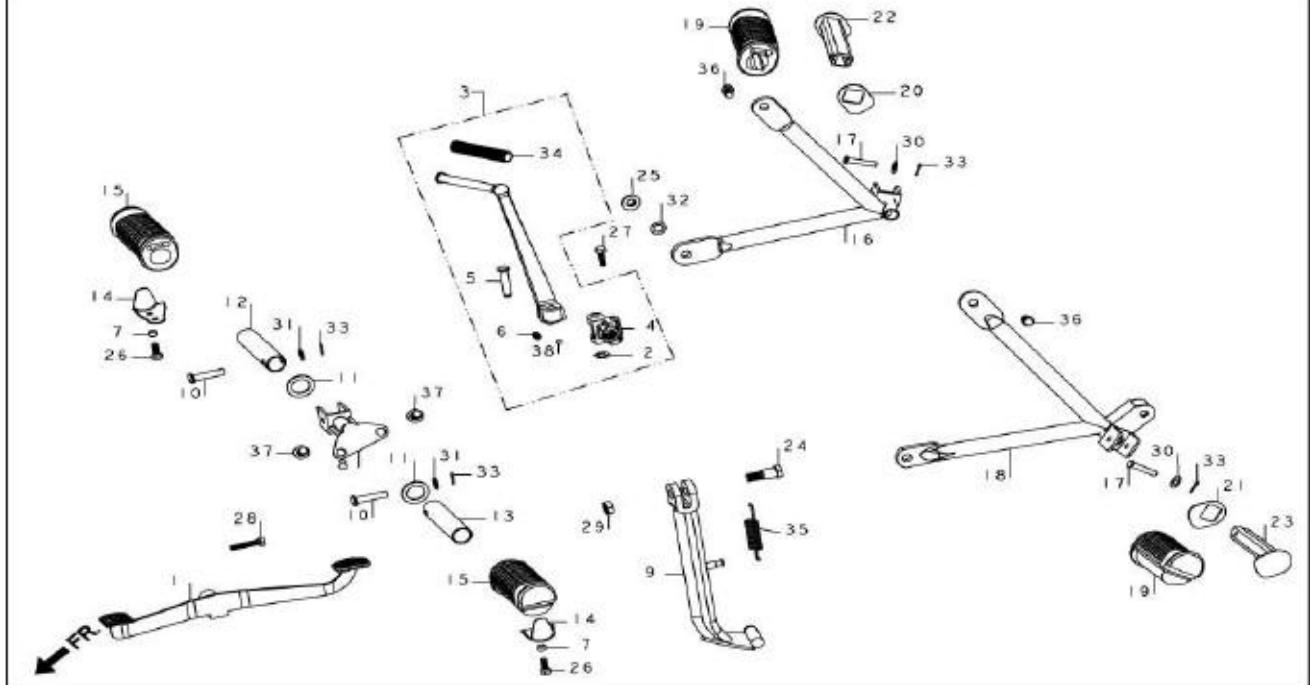


F-17

STEP ASSY./KICK STARTER/GEAR CHANGE PEDAL/SIDE
STAND/PILLION STEP COMP.



| Service Item | F.R.T. | BOM Of Group Number: F-17 Model :: Splendor (Dec, 1993) | | | |
|--|--------|---|---------------|--------------------------------|------|
| | | Ref No. | Part Number | Description | Req. |
| PEDAL, GEAR CHANGE | 0.1 | 1 | 24701-KCC-900 | PEDAL, GEAR CHANGE | 1 |
| ARM ASSY., KICK STARTER | -- | 2 | 28293-124-000 | CLIP, KICK STARTER ARM | 1 |
| BAR COMP., SIDE STAND | -- | 3 | 2830A-KAG-900 | ARM ASSY. COMP. , KICK STARTER | 1 |
| BRACKET COMP., RIGHT/LEFT PILLION STEP | -- | 4 | 28302-KAG-900 | JOINT, KICK ARM | 1 |
| | | 5 | 28321-355-000 | PIN, KICK STARTER | 1 |
| | | 6 | 28333-124-000 | SPRING, KICK STARTER STOPPER | 1 |
| | | 7 | 37243-323-000 | COLLAR , METER SET | 2 |
| | | 8 | 50160-KCC-900 | BRACKET COMP., 'R' STEP | 1 |
| | | 9 | 50530-KCC-900 | BAR COMP. SIDE STAND | 1 |
| | | 10 | 50603-KB4-000 | PIN, MAIN STEP BAR JOINT | 2 |
| | | 11 | 50614-413-000 | WASHER, MAIN STEP | 2 |
| | | 12 | 50618-KCC-000 | BAR 'R' STEP | 1 |
| | | 13 | 50619-KCC-000 | BAR 'L' STEP | 1 |
| | | 14 | 50619-425-010 | STOPPER, STEP RUBBER | 2 |
| | | 15 | 50661-425-670 | RUBBER STEP | 2 |
| | | 16 | 50701-KCC-900 | BRACKET COMP. 'R' PILLION STEP | 1 |
| | | 17 | 50701-198-910 | PIN,PILLION STEP | 2 |
| | | 18 | 50702-KCC-870 | BRACKET COMP. 'L' PILLION STEP | 1 |
| | | 19 | 50710-461-770 | RUBBER, STEP PILLION | 2 |
| | | 20 | 50712-438-730 | WASHER, 'R' PILLON STEP | 1 |